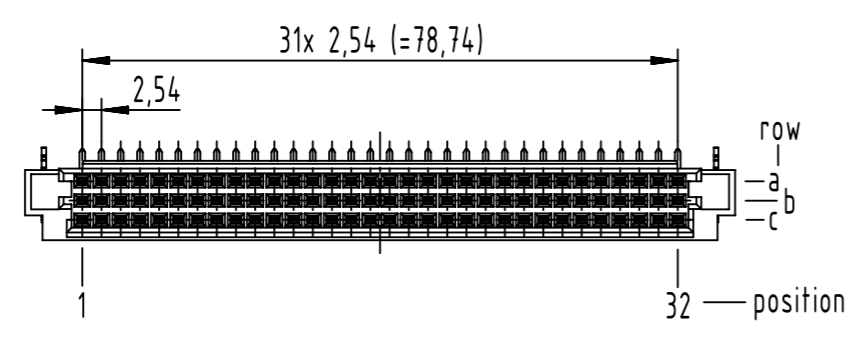
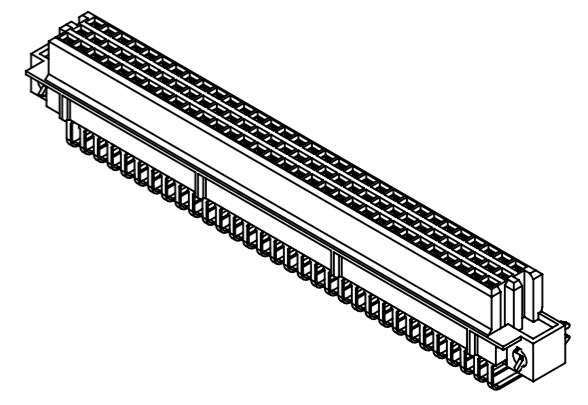
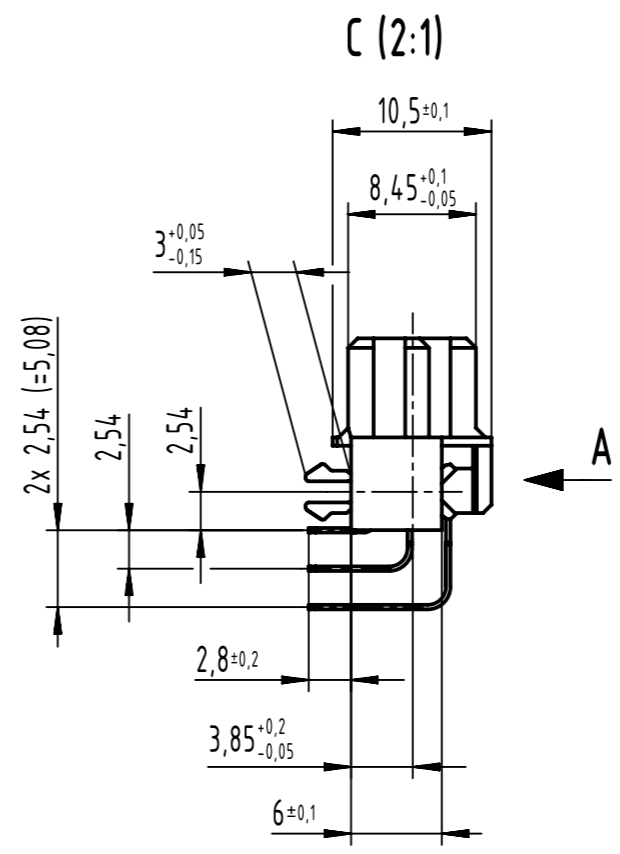
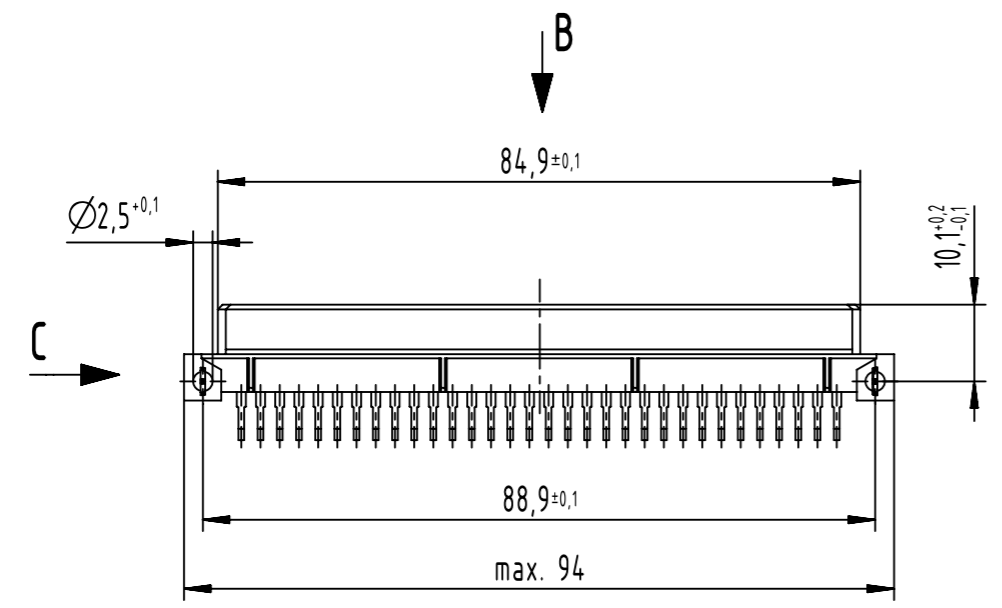


96 signal contacts
 ☒ = position with contact
 □ = position without contact



further information see product data sheet

09 73 496 6804	2
09 73 496 2804	1
part no.	performance level

All Dimensions in mm Original Size DIN A3		Scale 1:1	Free size tol. complementary IEC 60603-2		Ref. Sub.
All rights reserved Department EL PD		Created by STORCK	Inspected by LEHNERT	Standardisation	Date 2021-09-08
D-32339 Espelkamp		Title DIN Signal type R female solder angled clip 96-pole THR			State Final Release
		Type TB	Number 0973496X804		Doc-Key / ECM-Nr. 100104712/UGD/091/C 500000202207
				Rev. C	Page 1/1